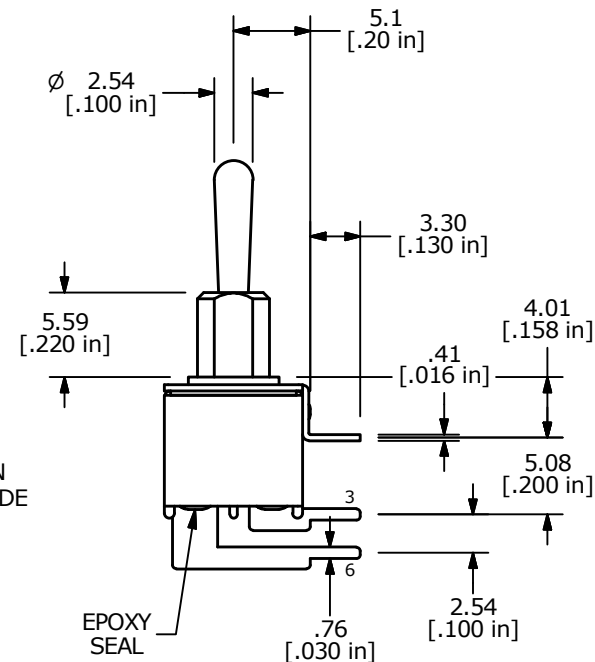
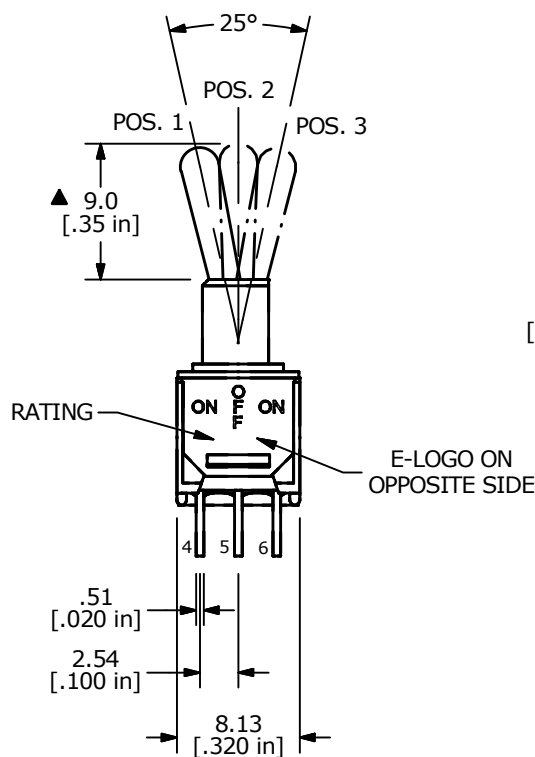
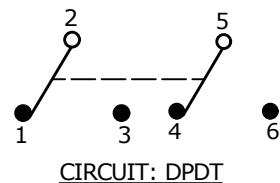
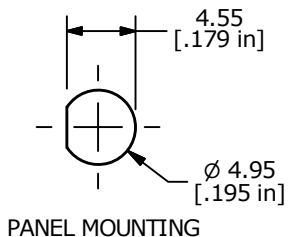


SWITCH FUNCTION		
POS. 1	POS. 2	POS. 3
ON	OFF	ON
2-3, 5-6	OPEN	2-1, 5-4



- NOTE:
1. ALL DIMENSIONS IN MM [INCH]
 2. GENERAL TOLERANCE: X.X = ±0.4
X.XX = ±0.25
 3. TERMINAL NUMBERS FOR REF ONLY
 - ▲ 4. PLATING MATERIAL: GOLD OVER SILVER
 5. RATING: 3A @120VAC or 28VDC
1A @250VAC
 6. ELECTRIC LIFE: 30,000 MAKE-AND-BREAK CYCLES AT FULL LOAD.
 7. INSULATION RESISTANCE: 1,000 MEGA-OHM MIN.
 8. DIELECTRIC STRENGTH: 1,000 V RMS @SEA LEVEL.
 9. OPERATING TEMP.: -30°C to 85°C
 10. ▲ DENOTES CRITICAL PARAMETER.
 11. 2011/65/EU (ROHS) COMPLIANT

D	23085	update drawing	11/8/17	MW
C	20809	CORRECT ACTUATOR, BUSHING & PLATING	10/4/12	EBP
B	14469	RELEASED FOR PRODUCTION	11/8/04	AR
REV	PCR NO	DESCRIPTION	DATE	BY



TITLE 200MDP3T1B2M6CE				
SCALE 2:1	DATE 6/27/2008	DR BLR	DWG T223002	REV D